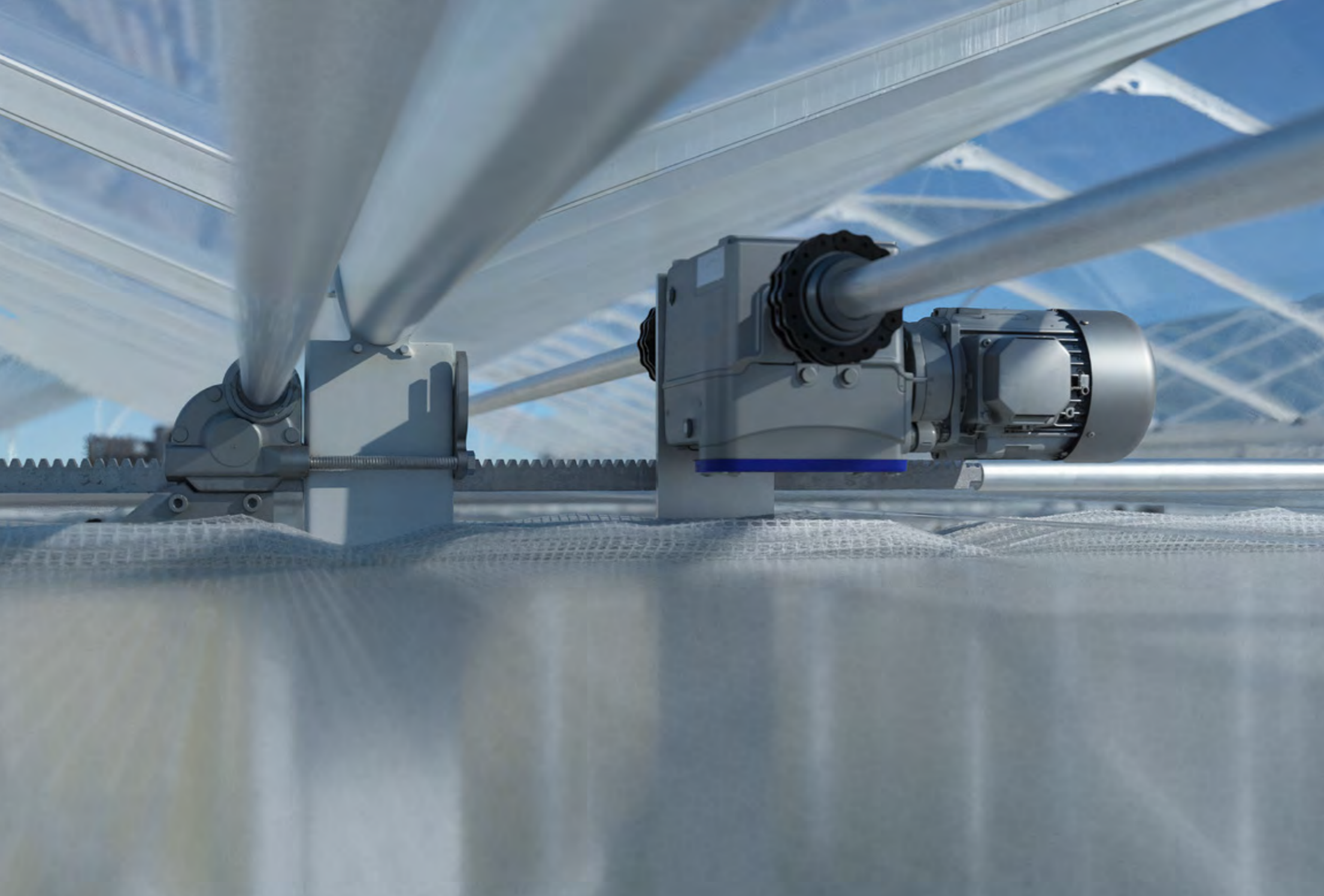




SMART DRIVE SYSTEMS FOR VENTILATION

Practical overview for engineers, project managers
and sales partners in horticulture.



Contents

- Together we ensure intelligently controlled ventilation.... 4
- Easy does it!..... 6
- 'Easy does it' in practice 8
- Three drives. Quiet. Powerful. Maintenance-free 10

- Push-pull system for rail ventilation 17**
- EWA + LZG // Rail mounting 18
- EWA + LZG // Support mounting..... 20

- EWA 50 // PowerDrive 23**
- EWA 50 // PowerDrive // 50 - 150 Nm 24

- EWA 52 // PowerDrive 29**
- EWA 52 // PowerDrive // 250 - 600 Nm 30

- EWA 56 // PowerDrive 35**
- EWA 56 // PowerDrive // 900 - 2000 Nm..... 36

- EWA 76 // TurboLogic 41**
- EWA 76 // TurboLogic // 900 - 1200 Nm 42

- LZG 20 / 24 // Rack & pinion units 47**
- LZG 20 // Rack & pinion units // 5500 - 10000 N. 48
- LZG 24 // Rack & pinion units // 13000 - 16000 N. 50

- Always support, always nearby..... 56
- SBE the smart system for horticulture 57
- The 5 promises of Lock..... 58

Together we ensure intelligently controlled ventilation

As an engineer, installer or sales partner, you play a key role in creating a stable and healthy greenhouse climate. Lock supports you with drive technology that works reliably, simply and precisely, specially developed for operating roof vents and façade ventilation.

In this catalogue you will find our solutions for ventilation. No sales talk, but technical insights, applications and direct links to files, installation manuals and support.

German engineering quality

For over 180 years, Lock has stood for robust, low-noise and low-maintenance drives, built to perform in humid, dusty or hot conditions. Our technology is tested, proven and ready for your next project.

What you can expect from us

- No-nonsense durability
- Easy integration into any design
- Support from a local team you know

Easy does it. Also for ventilation.

Thanks to modular systems, available .DXF and .STEP files and our mechatronic limit switch system, you can set roof vents in just two clicks. That saves time, prevents errors and simply feels good to work with – for you and your customer.

AS A PIONEER IN SCREENING AND VENTILATION, WE CONTINUOUSLY INNOVATE IN EVERY AREA.

FRANK LOCK, CEO



- Support during the design phase
- Directly applicable in any greenhouse design
- .DXF and .STEP files available via productfinder.lockdrives.com
- Two-click installation of the limit switch
- Low-noise drives
- Long service life and no oil leakage
- Maintenance-free
- Technical support and assistance nearby
- Everything in one place: productfinder.lockdrives.com

Easy does it!

This is how you manage ventilation without hassle.

Designing or modifying a ventilation system in a greenhouse calls for smart choices. The technology not only has to be correct, it also has to be easy to apply, adjust and maintain.

At Lock, we make this possible with solutions that you can integrate directly into your design, install quickly and use with confidence for many years. We call that: Easy does it.



WHAT WE REALLY MAKE EASY:

SUPPORT DURING THE DESIGN PHASE

We provide expert support throughout the planning and implementation phase of your new build or modernization project.

ADJUSTMENT WITHOUT HASSLE

Mechatronic limit switch system, adjustable in two clicks. Plug & Play.

PRODUCTFINDER.LOCKDRIVES.COM

All .DXF and .STEP files clearly arranged and ready to use.

NO POWER REQUIRED FOR INSTALLATION

Mounting the drive and setting the end positions without power can be done in one go – saving time, simple and efficient!

REPLACING A MOTOR = QUICKLY DONE

Our drives can be replaced without modifying the structure.

SUPPORT CLOSE BY

A team that speaks your language. Always available, always practical.

**ALL INFORMATION
CLEARLY ARRANGED
IN ONE PLACE?**

Visit
productfinder.lockdrives.com
for support and
downloads.

This is how 'Easy does it' works in practice



A properly functioning ventilation system starts with smart choices in design and installation. Lock supplies complete drive solutions – from drive to rack, mounting plate and limit switch – tailored to your project.

Everything fits, everything aligns. And that makes your work as an engineer or installer both easier and more reliable.

WHAT DOES THAT MEAN FOR YOU?

EXTREMELY LONG SERVICE LIFE

Robust technology. Minimal wear. No surprises.

NO OIL LEAKS OR MAINTENANCE REQUIRED

Motors are completely sealed. Virtually maintenance-free.

ALWAYS SUPPORT DURING PLANNING

Whether it is a new-build or a renovation project, we think along with you.

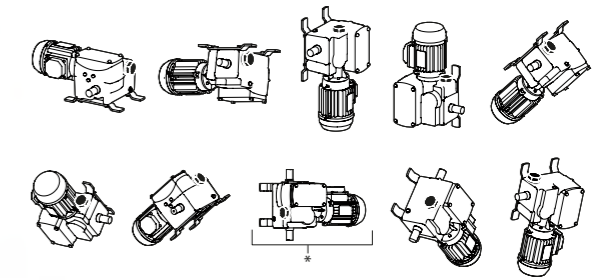
QUIET IN OPERATION

Comfort also counts for growers. Low-noise drives ensure a quiet environment.

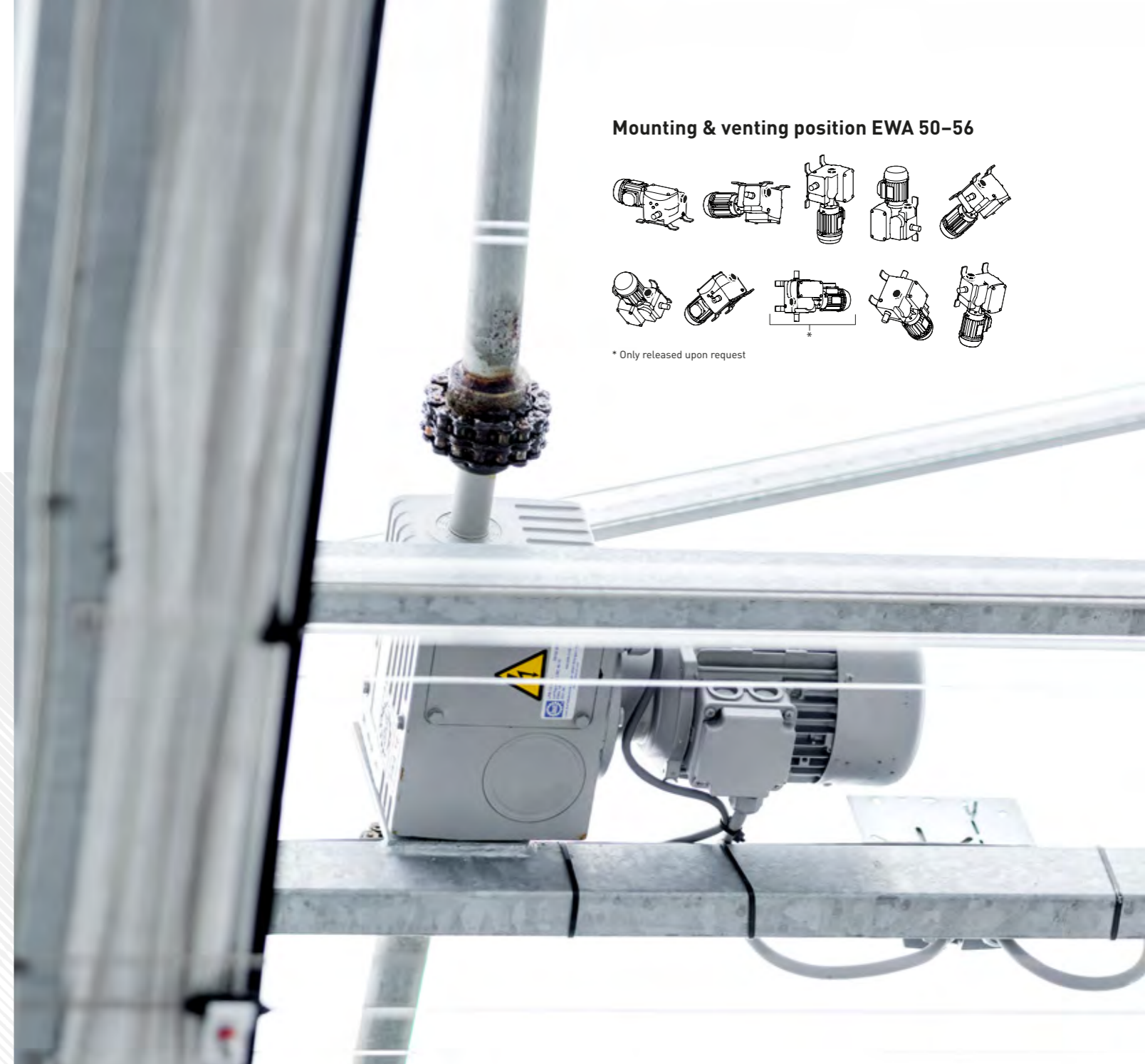
SUPPORT WHEN YOU NEED IT

We are nearby – also after commissioning.

Mounting & venting position EWA 50-56



* Only released upon request



Three drives. Quiet. Powerful. Maintenance-free.

The EWA 50, 52 and 56 PowerDrives are the global standard in greenhouse horticulture. These self-locking double worm gear units combine power, precision and reliability in every greenhouse. Extremely quiet, completely maintenance-free and suitable for almost any system.

ACCURATE TO THE MILLIMETER

The EWA 5-series is a self-locking system, eliminating damage risks. The drives control vents and screens with great precision, allowing exact parameter tuning.

MAINTENANCE-FREE

Fully sealed worm-gear housing. No oil changes needed, no leakage possible.

EASY INSTALLATION

With the two-click installation of the limit switch, the end positions are quickly set and ready for use. No more waiting 1.5 hours - start working immediately with full power.

WORLDWIDE APPLICABILITY

For every greenhouse we offer an ideal drive system. The EWA 5-series provides everything a greenhouse needs, for both single-phase AC and three-phase AC. So you always have the best drive for each project.

IP55-PROTECTED

All drives in the EWA 5-series are resistant to moisture, dust, and condensation, so corrosion is a thing of the past. And to reinforce that, we offer no less than a 10-year warranty on our solutions.



For more information about Lock PowerDrives, visit: productfinder.lockdrives.com



The EWA 5-series:
**Fully interchangeable,
always a perfect fit.**



EWA 50
50-150 Nm
1~ or 3~



EWA 52
250-600 Nm
1~ or 3~



EWA 56
900-2000 Nm
20% lighter than comparable products.

CHOOSE THE RIGHT DRIVE AT A GLANCE

- The EWA 5-series is **fully modular** and usable in any greenhouse.
- Thanks to Lock's wide range of types, versions and accessories combined with EWA 5-series, you can easily assemble the ideal solution.
- Modular systems suited for point, line and surface movements.

PowerDrive	Torque range [Nm]	Application	Voltage 1~	Voltage 3~
EWA 50	50-150	Light screen applications	120 / 230 / 240 V	208 / 400 / 480 V
EWA 52	250-600	All-rounder: screening & ventilation	120 / 230 / 240 V	208 / 400 / 480 V
EWA 56	900-2000	Large-area ventilation & screening		208 / 400 / 480 V



**SELF-LOCKING
AND ACCURATE TO
THE MILLIMETER –
RELIABILITY
GUARANTEED.**

Overview of speeds

per EWA drive for ventilation applications

This table shows the speed (rpm) per EWA drive for a specific voltage and frequency. It allows you to determine instantly which drive best matches your technical specifications, installation situation or country requirements. This helps you choose the correct model for power, speed and voltage.

	EWA 50			EWA 52				EWA 56				
	50 Nm	90 Nm	150 Nm	250 Nm	350 Nm	450 Nm	600 Nm	900 Nm	1200 Nm	1500 Nm	2000 Nm	
n [1/min] at 50 Hz	400 V 3~	2,6	2,6	2,6	1,6		1,6		2,4	2,4	2,4	2,4
		4,5	4,5	4,5	3,2	3,2	3,2	3,2	4,9		4,9	
				4,4	4,4	4,4	4,4					
				8,8		8,8						
	230 V 1~	2,6	2,6	2,6	1,6		1,6					
		4,5	4,5	4,5	3,2	3,2	3,2					
				4,4	4,4	4,4						
				8,8		8,8						
380 V 3~	2,6	2,6	2,6									
	4,5	4,5	2,6									
n [1/min] at 60 Hz	120 V 1~		3,2	3,2	2,0							
					3,2							
	240 V 1~		3,2	3,2	3,8	3,8	3,8					
	208 V 3~ 480 V 3~	2,9	3,2	3,2	3,8	3,8	3,8	3,8		2,9	2,9	
									2,9	5,8	5,8	

Adjustment in a snap



Thanks to our mechatronic limit switch system, you can set Lock drive systems within seconds. No tools, no power, no stress. Click one: start position. Click two: end position. Done. The settings are retained even after power loss.

BENEFITS FOR ENGINEERS

- Directly applicable in any project
- No installer training required
- Saves 90 minutes per drive
- Fast installation
- No calibration required
- No wear points
- No power required during installation

LSC 40 MECHATRONIC LIMIT SWITCH SYSTEM

- Thanks to the internal switch, the LSC 40 never moves past the end position, preventing major damage.
- One universal version for all speeds
- Integrated auxiliary switches (AC/DC control voltage)
- No mechanical stops or wear
- Immediately ready for operation after a fault, because the LSC remembers the last position. This saves a lot of time and money.
- Signal outputs: 0–10 V, 4–20 mA, or incremental

View datasheets and connection examples at
productfinder.lockdrives.com



**EASY INSTALLATION
IN TWO CLICKS.
EASY DOES IT!**



PUSH-PULL SYSTEM FOR RAIL VENTILATION

PRECISELY CONTROLLED VENTILATION

Push-pull systems are widely used in greenhouse ventilation with ridge or façade windows. The linear movement provides reliable opening and closing over long distances. Lock supplies complete combinations of drives, racks, couplings and brackets, all designed for power, precision and a long service life.

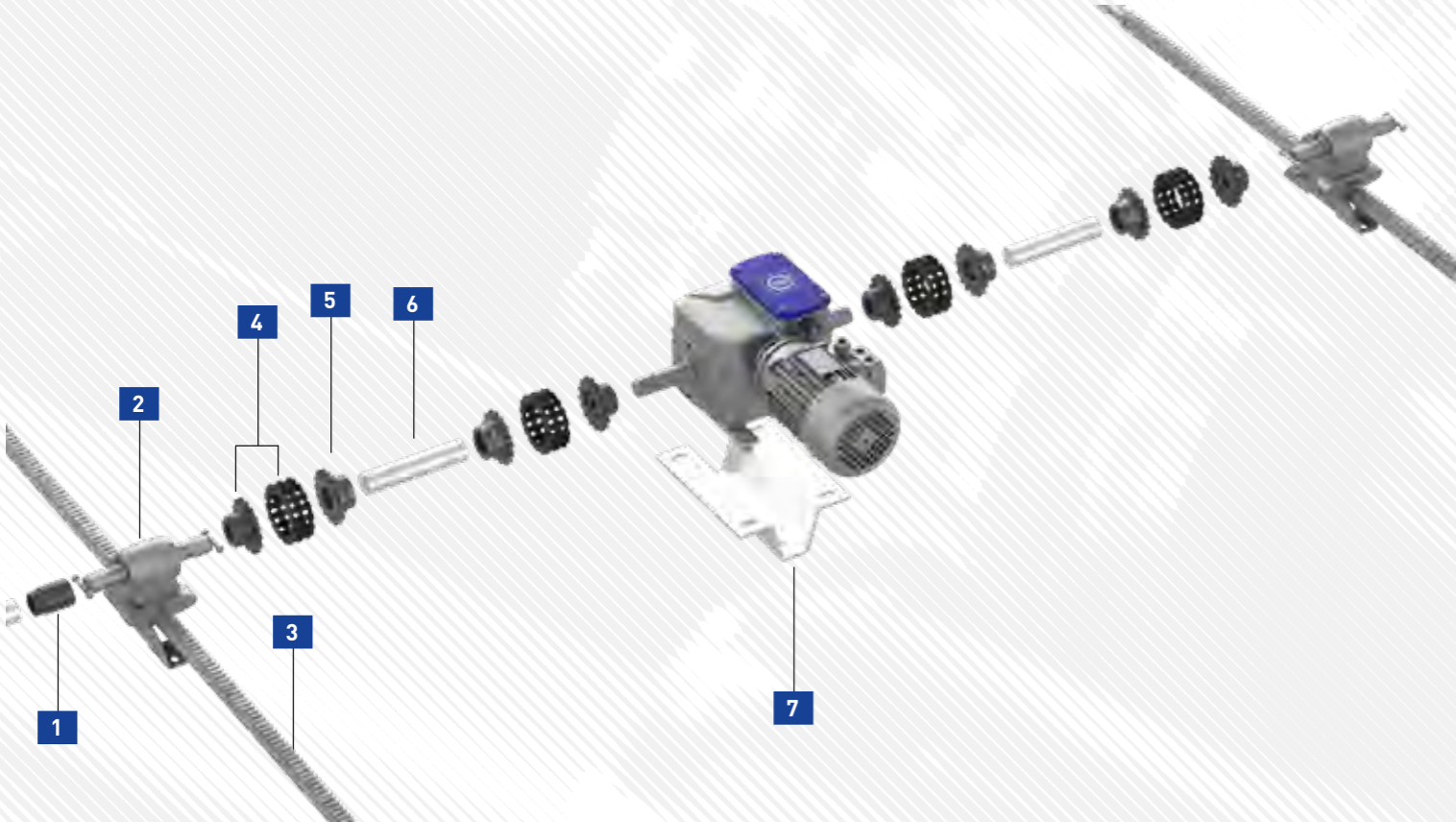
Thanks to their modular design, these systems can be used in a wide range of greenhouse structures. Suitable solutions are also available for special situations, such as asymmetrical windows or windows that are left open.

EWA + LZG // RAIL MOUNTING

EWA + LZG // SUPPORT MOUNTING

Push-pull system EWA + LZG RAIL MOUNTING

This exploded view shows the complete structure of a rail ventilation system with EWA drive and LZG gear unit mounted on the rail mounting. All components are perfectly matched for quiet operation and easy installation. All individual parts, including item numbers and quantities, are clearly listed in the table. This means you can get started on your project straight away – simply order and assemble.



PARTS OVERVIEW OF A PUSH-PULL SYSTEM FOR RAIL VENTILATION MOUNTED ON A TRUSS BEAM FOR THE EWA 50 OR EWA 52

All components of this system, including item numbers and quantities, are clearly listed in the table below. Use the exploded view on the previous page as a visual reference.

Push-pull system rail ventilation // Rail mounting		
EWA 50/52/56		
	Article number	Description
1	20266.4260.3601	SKS 66.6036
2	61420.1010.00	LZG 20.10xx
3	61420.80xx.xxxx*	LZZ 20.10
4	20611.9181.66	KKS 11.8166
5	20611.9581.43	KKS 11.8143
6	client-supplied	Tube 5/4" DIN EN 10255
7	82532.1210.0111	MPL 32.1210

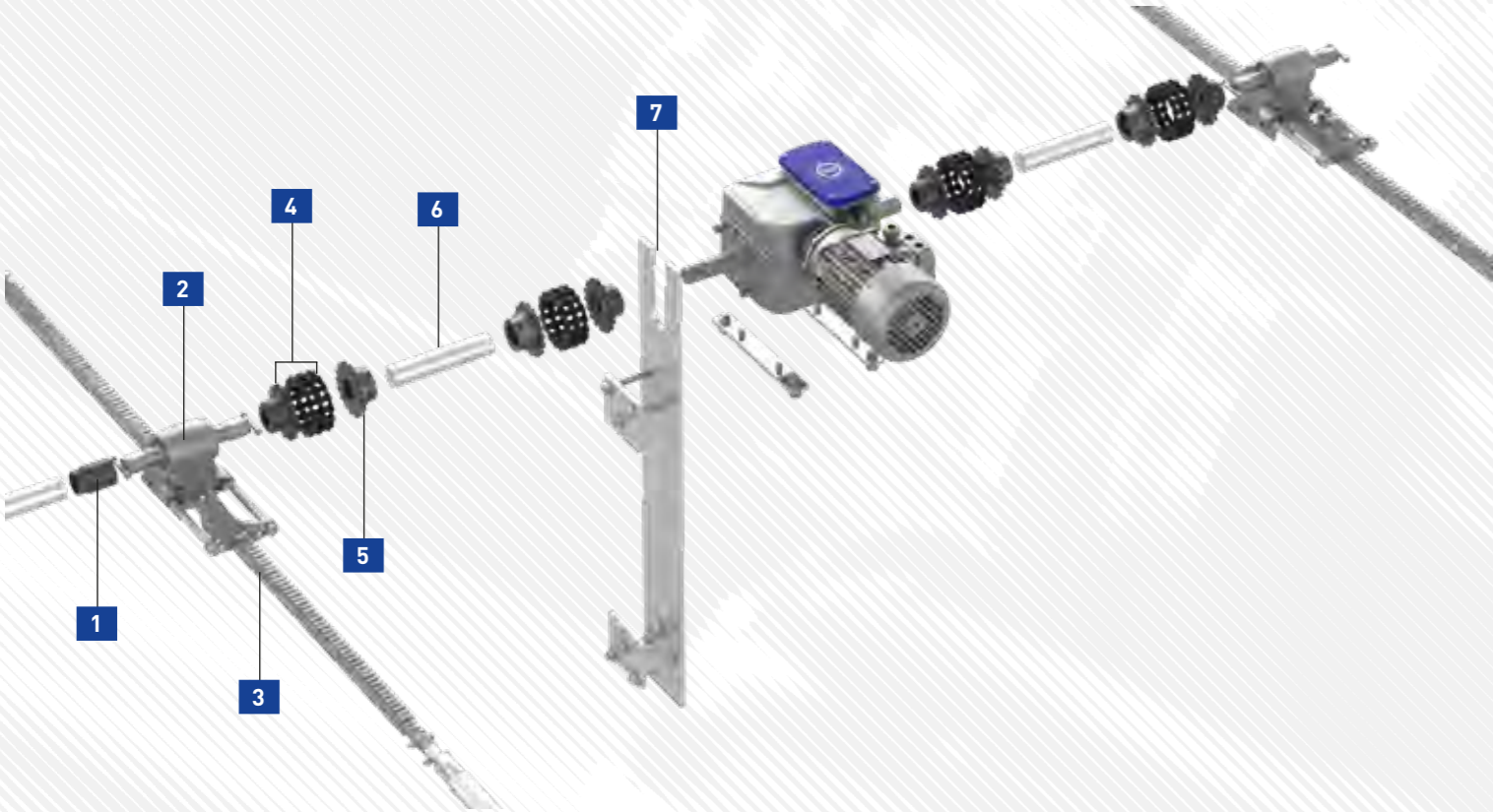
* Position indicators for length, not to be inserted in advance.



ALL INFORMATION
CLEARLY ARRANGED
IN ONE PLACE?
Visit
productfinder.lockdrives.com
for support and downloads.

Push-pull system EWA + LZG SUPPORT MOUNTING

This exploded view shows the complete structure of a rail ventilation system with EWA drive and LZG gear unit mounted on the support. All components are perfectly matched for quiet operation and easy installation. All individual parts, including item numbers and quantities, are clearly listed in the table. This means you can get started on your project straight away – simply order and assemble.



PARTS OVERVIEW OF A PUSH-PULL SYSTEM FOR RAIL VENTILATION MOUNTED TO THE COLUMN FOR THE EWA 50 OR EWA 52

All components of this system, including item numbers and quantities, are clearly listed in the table below. Use the exploded view on the previous page as a visual reference.

Push-pull system rail ventilation // Support mounting		
EWA 50/52/56		
	Artikelnummer	Bezeichnung
1	20266.4260.3601	SKS 66.6036
2	61420.1010.00	LZG 20.10xx
3	61420.80xx.xxxx*	LZZ 20.10
4	20611.9181.66	KKS 11.8166
5	20611.9581.43	KKS 11.8143
6	client-supplied	Tube 5/4" DIN EN 10255
7	82546.1xxx.xxxx*	MPL 46

* Position indicators for length, not to be inserted in advance.



ALL INFORMATION
CLEARLY ARRANGED
IN ONE PLACE?
Visit
productfinder.lockdrives.com
for support and downloads.

**LOCK'S RACK, PINION AND
DRIVE SYSTEMS PROVIDE
RELIABLE CONTROL OF
TEMPERATURE AND
VENTILATION.**

TIM LAUER, ALBERT J. LAUER INC.

EWA 50 // PowerDrive



EWA 50 // PowerDrive

50 - 150 Nm

The EWA 50 is a compact, self-locking double worm gear unit with integrated end position switch-off, designed for maximum service life and completely maintenance-free.



EWA 50 pre-wired

Universal mounting

- Rear or side mounting (symmetrical)
- Standard foot: 70 mm center distance (optional 60 mm)

Integrated limit switch

- Operated via LSC 40 (AC/DC)

Modular & flexible

- Fully interchangeable with older EWA 10 / 12
- Works with multiple voltages
- Single-phase models come pre-wired with cable and winding protection

Designed for greenhouse climates

- Ambient temperature -5°C to +60°C
- Optional A60 version for low temperature applications below -5°C
- Protection class IP55

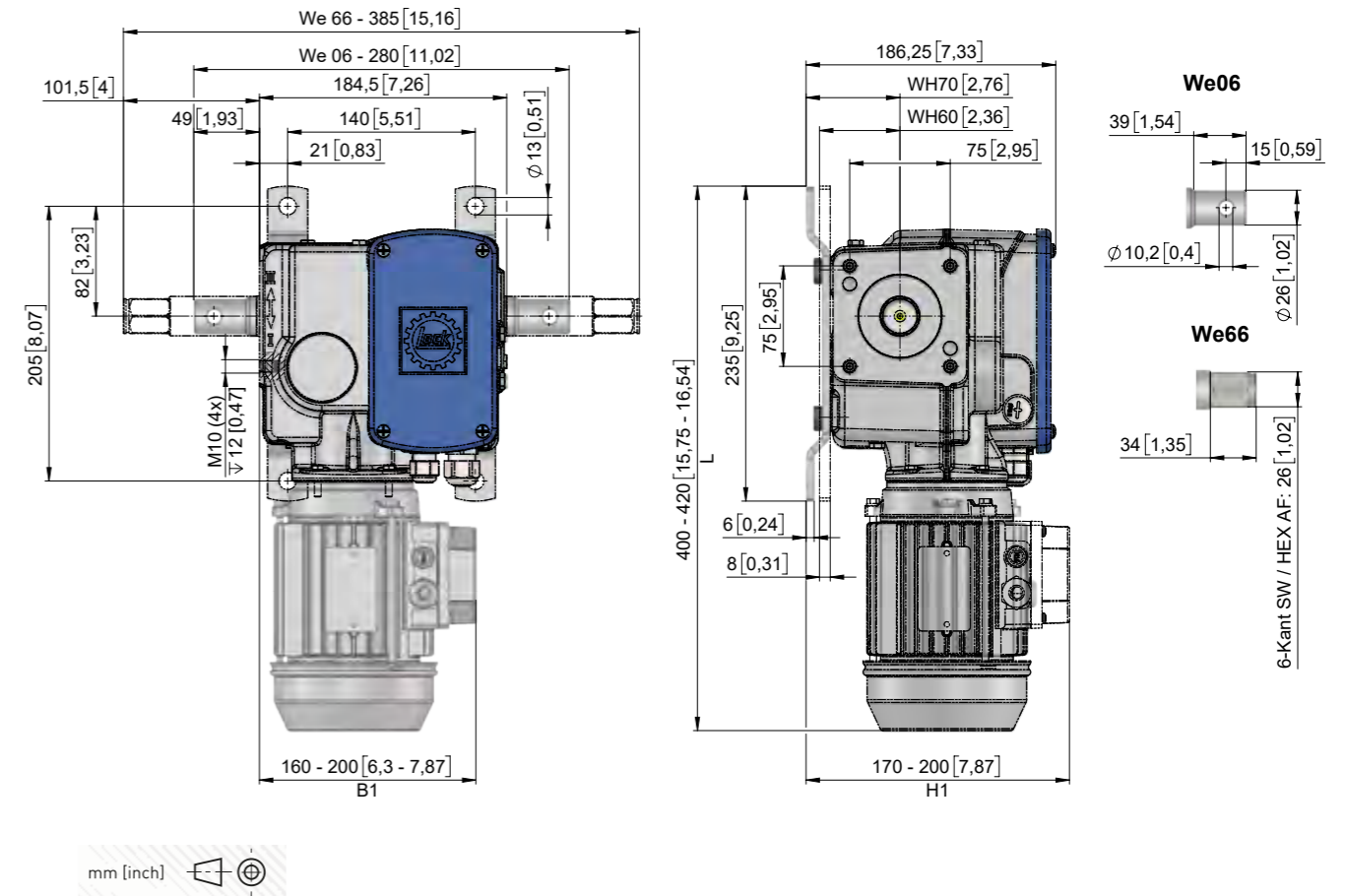
Duty cycle

- S3-40%
- Completely maintenance-free: no oil changes required, no leakage

Position feedback (optional)

When using the LSC 40:

- LPR 02 (analogue 0-10 V / 4-20 mA)
- LPR 04 (digital - incremental signal)



Want all the information clearly laid out in one place?
Go to productfinder.lockdrives.com for support and downloads.

EWA 50 // PowerDrive

50 - 150 Nm



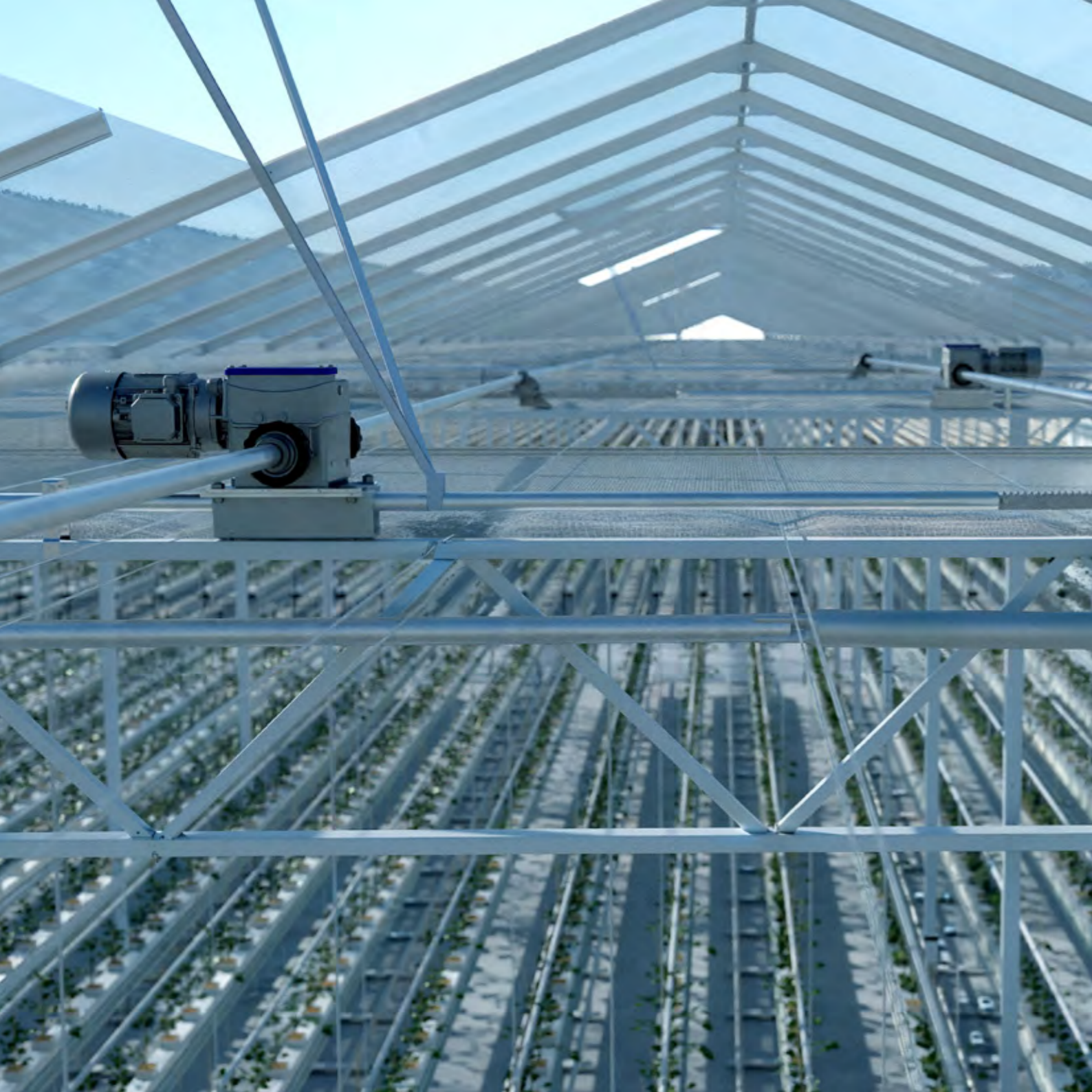
Version	T [Nm]	n [1/min]	I [A]	P [kW]	m We 06 [kg]	m We 66 [kg]
400 V 3~, 50 Hz						
EWA 50.0503	50	2,6	0,4	0,19	18,4	19,1
EWA 50.0505	50	4,5	0,45	0,22	18,4	19,1
EWA 50.0903	90	2,6	0,45	0,23	18,4	19,1
EWA 50.0905	90	4,5	0,9	0,33	18,4	19,1
EWA 50.1503	150	2,6	0,8	0,39	18,4	19,1
EWA 50.1505	150	4,5	0,94	0,46	18,4	19,1
230 V 1~, 50 Hz						
EWA 50.0503	50	2,6	1,4	0,3	18,6	19,3
EWA 50.0505	50	4,5	1,5	0,32	18,6	19,3
EWA 50.0903	90	2,6	1,5	0,32	18,6	19,3
EWA 50.0905	90	4,5	1,7	0,38	19,4	20,1
EWA 50.1503	150	2,6	1,7	0,34	19,4	20,1
EWA 50.1505	150	4,5	2,8	0,62	19,5	20,2
380 V 3~, 50 Hz, CCC						
EWA 50.0503	50	2,6	0,6	0,24	19,3	-
EWA 50.0505	50	4,5	0,6	0,25	19,3	-
EWA 50.0903	90	2,6	0,6	0,26	19,3	-
EWA 50.0905	90	4,5	0,8	0,38	19,8	-
EWA 50.1503	150	2,6	0,8	0,38	19,8	-
EWA 50.1505	150	4,5	0,9	0,46	19,8	-

Version	T [Nm]	T [in.-lb]	n [1/min]	I [A]	P [kW]	m We 06 [kg]
120 V 1~, 60 Hz, cURus Motor						
EWA 50.0903	90	800	3,2	3,00	0,35	20,2
EWA 50.1503	150	1300	3,2	3,60	0,43	20,4
240 V 1~, 60 Hz, cURus Motor						
EWA 50.0903	90	800	3,2	1,60	0,37	18,8
EWA 50.1503	150	1300	3,2	2,00	0,46	20,2
208 V 3~, 60 Hz, cURus Motor						
EWA 50.0903	90	800	3,2	1,00	0,27	18,8
EWA 50.1503	150	1300	3,2	1,20	0,33	18,8
480 V 3~, 60 Hz, cURus Motor						
EWA 50.0903	90	800	3,2	0,50	0,27	18,2
EWA 50.1503	150	1300	3,2	0,70	0,34	18,8



WE SUPPLY COMPLETE DRIVE SYSTEMS THAT MEET A WIDE RANGE OF REQUIREMENTS. WE CAN EVEN CUSTOM-BEND RACK RAILS SO THAT THEY DO NOT INTERFERE WHEN VENTILATION WINDOWS ARE CLOSED.

HOLGER HEITELE, DEVELOPMENT



EWA 52 // PowerDrive



EWA 52 // PowerDrive

250 - 600 Nm

The EWA 52 is an extremely quiet, self-locking double worm gear unit with integrated end position switch-off, designed for maximum service life and completely maintenance-free.



EWA 52 pre-wired

Universal mounting

- Rear or side mounting (symmetrical)
- Standard foot: 70 mm center distance (optional 60 mm)

Integrated limit switch

- Operated via LSC 40 (AC/DC)

Modular & flexible

- Fully interchangeable with older EWA 14
- Works with multiple voltages
- Single-phase models come pre-wired with cable and winding protection

Designed for greenhouse climates

- Ambient temperature -5°C to +60°C
- Optional A60 version for low temperature applications below -5°C
- Protection class IP55

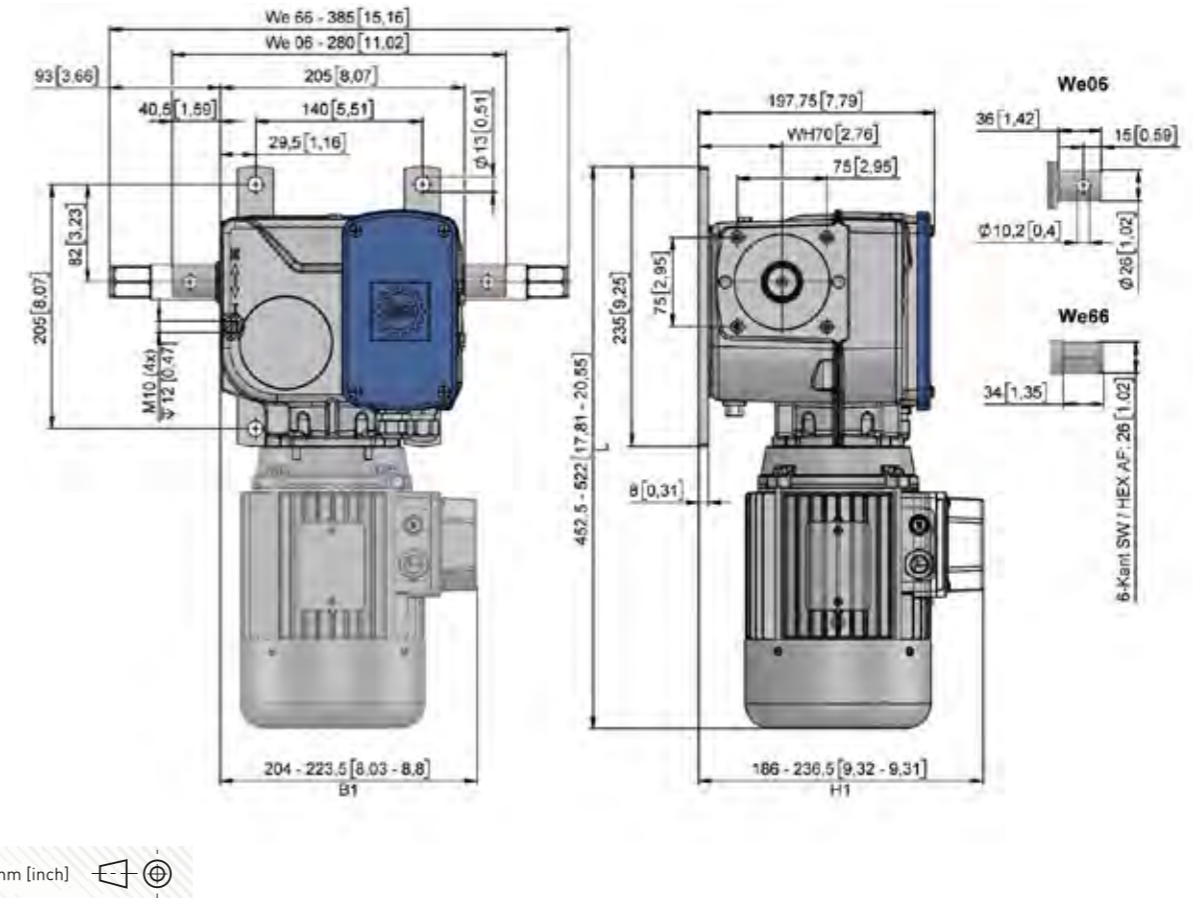
Duty cycle

- S3-40%
- Completely maintenance-free: no oil changes required, no leakage

Position feedback (optional)

When using the LSC 40:

- LPR 02 (analogue 0-10 V / 4-20 mA)
- LPR 04 (digital - incremental signal)



mm [inch]



Want all the information clearly laid out in one place?
Go to productfinder.lockdrives.com for support and downloads.

EWA 52 // PowerDrive

250 - 600 Nm



Version	T [Nm]	n [1/min]	I [A]	P [kW]	m We 06 [kg]	m We 66 [kg]
400 V, 3~, 50 Hz						
EWA 52.1509	150	8,8	1,30	0,70	27	27,7
EWA 52.2501	250	1,6	1,00	0,43	27,7	28,4
EWA 52.2503	250	3,2	1,10	0,47	27,7	28,4
EWA 52.2505	250	4,4	1,20	0,52	27,7	28,4
EWA 52.2509	250	8,8	2,20	1,14	28,3	29
EWA 52.3503	350	3,2	1,50	0,86	27,7	28,4
EWA 52.3505	350	4,4	1,60	0,92	27,7	28,4
EWA 52.4501	450	1,6	1,10	0,47	27,7	28,4
EWA 52.4503	450	3,2	1,65	0,95	27,7	28,4
EWA 52.4505	450	4,4	1,80	1,04	27,7	28,4
EWA 52.4509	450	8,8	2,75	1,42	-	29
EWA 52.6003	600	3,2	1,80	1,04	-	28,4
EWA 52.6005	600	4,4	2,20	1,27	-	28,4
230 V, 1~, 50 Hz						
EWA 52.2501	250	1,6	2,90	0,64	28	28,7
EWA 52.2503	250	3,2	3,20	0,71	28	28,7
EWA 52.2505	250	4,4	3,50	0,77	28	28,7
EWA 52.3503	350	3,2	4,70	0,96	28,8	29,5
EWA 52.3505	350	4,4	5,00	1,02	28,8	29,5
EWA 52.4501	450	1,6	3,20	0,71	28,8	29,5
EWA 52.4503	450	3,2	4,90	1,00	28,8	29,5



Version	T [Nm]	T [in.-lb]	n [1/min]	I [A]	P [kW]	m We 06 [kg]	m We 66 [kg]
120 V, 1~60 Hz, cURus Motor							
EWA 52.2501	250	2200	2,0	3,6	0,75	28,6	-
EWA 52.2503	250	2200	3,8	6,9	0,81	28,6	-
240 V, 1~ 60 Hz, cURus Motor							
EWA 52.2501	250	2200	2,0	3,40	0,78	28,8	-
EWA 52.2503	250	2200	3,8	3,80	0,87	28,8	-
EWA 52.4503	450	4000	3,8	4,85	0,89	28,8	29,5
208 V, 3~ 60 Hz, cURus Motor							
EWA 52.2501	250	2200	2,0	1,75	0,56	27,2	-
EWA 52.2503	250	2200	3,8	2,10	0,67	27,2	-
EWA 52.4503	450	4000	3,8	2,85	0,90	27,2	27,9
EWA 52.6003	600	5300	3,8	3,70	1,09	-	29,2
480 V, 3~ 60 Hz, cURus Motor							
EWA 52.2503	250	2200	3,8	1,45	0,78	27,2	-
EWA 52.4503	450	4000	3,8	1,60	0,86	27,2	27,9
EWA 52.6003	600	5300	3,8	2,30	1,49	-	29,2



WHEN MANUFACTURING OUR PRODUCTS, WE FOCUS ON ACHIEVING ULTIMATE PRECISION AND OPTIMUM PROCESSES. OUR HIGH LEVEL OF VERTICALLY INTEGRATED PRODUCTION ENABLES US TO ACHIEVE THE PREMIUM QUALITY LOCK IS RENOWNED FOR WITHIN OUR OWN COMPANY.

STEFFEN REHM, HOUSING TEAM



EWA 56 // PowerDrive



EWA 56 // PowerDrive

900 - 2000 Nm

The EWA 56 is an extremely quiet, self-locking double worm gear unit with integrated end position switch-off, designed for maximum service life and completely maintenance-free.



Universal mounting

- Universal mounting with standard rear or side mounting (symmetrical)
- 20% lighter than comparable products
- Flexible coupling selection thanks to standard shaft We19
- Ideally mount the drive in the middle of the drive train (observe max. torque of the couplings)

Integrated limit switch

- End position switch-off via LSC 40 AC or DC control unit incl. additional limit switch

Modular & flexible

- Installation compatible with EWA 16
- Quality motors available for many voltages

Designed for the greenhouse climate

- Ambient temperature -5 °C to +60 °C
- Protection class IP55

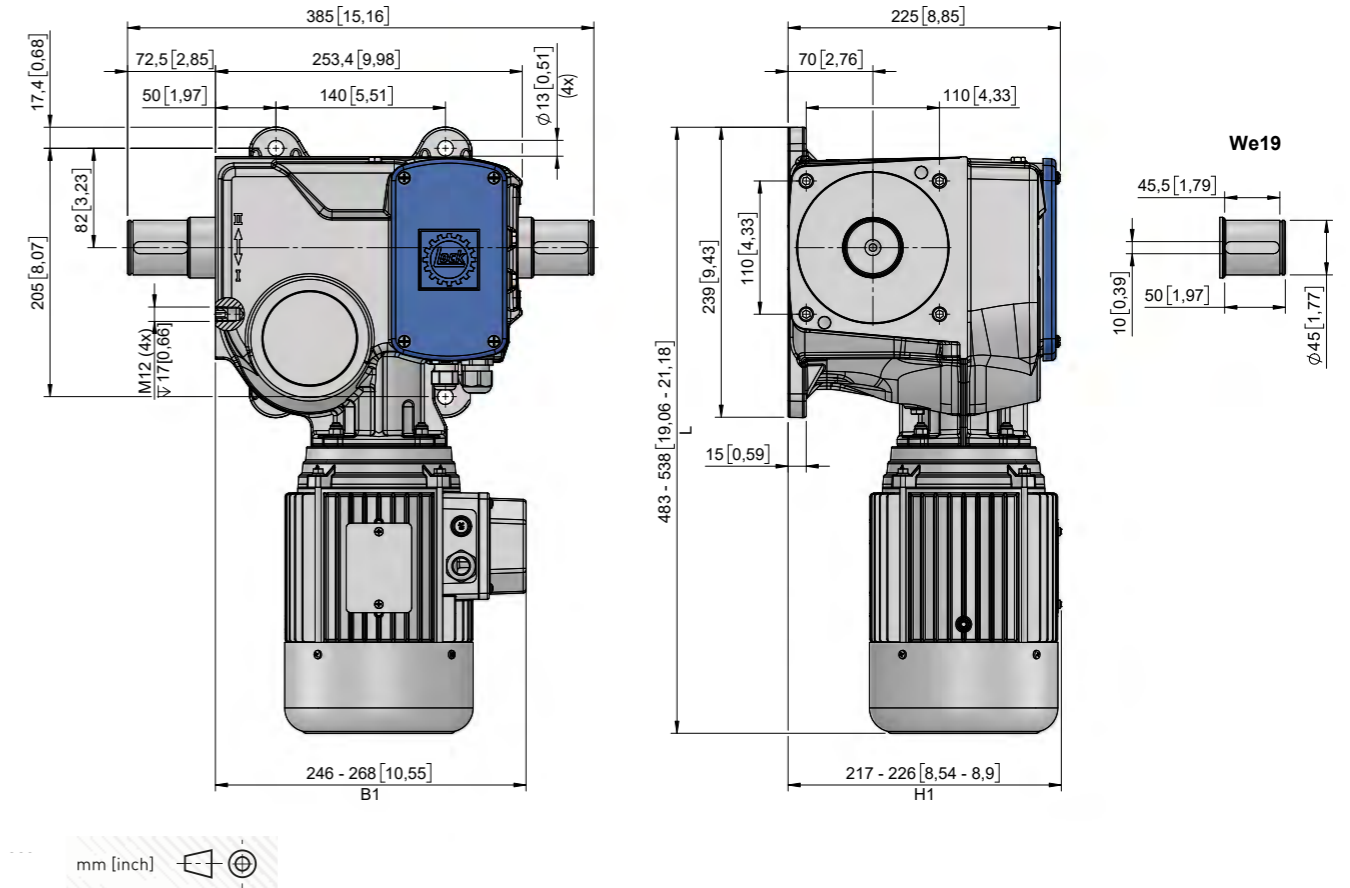
Duty cycle

- S3-40 %
- Completely maintenance-free: no oil change required, no leaks

Position feedback (optional)

When using the LSC 40:

- LPR 02 (analog 0-10 V / 4-20 mA)
- LPR 04 (additionally digital – incremental signal)



Want all the information clearly laid out in one place?
Go to productfinder.lockdrives.com for support and downloads.

EWA 56 // PowerDrive

900 - 2000 Nm



Version	T [Nm]	n [1/min]	I [A]	P [kW]	m [kg]
400 V 3~, 50 Hz cURus Motor					
EWA 56.9003	900	2,4	2,00	1,05	43,3
EWA 56.9005	900	4,9	3,10	1,87	43,8
EWA 56.9203	1200	2,4	2,80	1,40	46,6
EWA 56.9503	1500	2,4	3,30	1,71	46,6
EWA 56.9505	1500	4,9	5,20	2,70	48,4
EWA 56.9703*	2000	2,4	3,50	2,11	49,8

* The use of EWA 56.9703 up to 2000 Nm is only permitted for shading purposes!

Version	T [Nm]	T [in.-lb]	n [1/min]	I [A]	P [kW]	m [kg]
208V 3~, 60Hz, cURus Motor						
EWA 56.9003	900	8000	2,9	4,00	1,22	44
EWA 56.9203	1200	10600	2,9	4,80	1,56	46,6
EWA 56.9205	1200	10600	5,8	8,15	2,58	48,4
480V 3~, 60Hz, cURus Motor						
EWA 56.9003	900	8000	2,9	2,40	1,30	44
EWA 56.9203	1200	10600	2,9	2,80	1,51	46,6
EWA 56.9205	1200	10600	5,8	4,50	2,77	48,4
EWA 56.9503	1500	13300	2,9	3,10	1,80	46,6
EWA 56.9505	1500	13300	5,8	5,10	3,31	48,4





EWA 76 // TurboLogic



EWA 76 // TurboLogic

900 - 1200 Nm

The EWA 76 is a high-performance special drive with motor-integrated high-performance frequency inverter for high adjustment speeds, making it ideally suited for the ventilation of greenhouses with Cabrio ventilation.



High-performance & torque-stable

- With frequency inverter, large speed range of 9 to 35 rpm at full torque of up to 1200 Nm is possible. Integrated Soft Start and Soft Stop to protect the entire system.

Precise & position-accurate

- External limit switch system ESS 40 with control unit LSC 40 or END 20 gear limit switch for end positions/slow travel/normal travel.
- As an option with position feedback PAR 06/PAR 10 for END 20. Expansion to "Luv/Lee" option by second limit switch box ESS 40 for further intermediate positions.

Simple & easy to connect

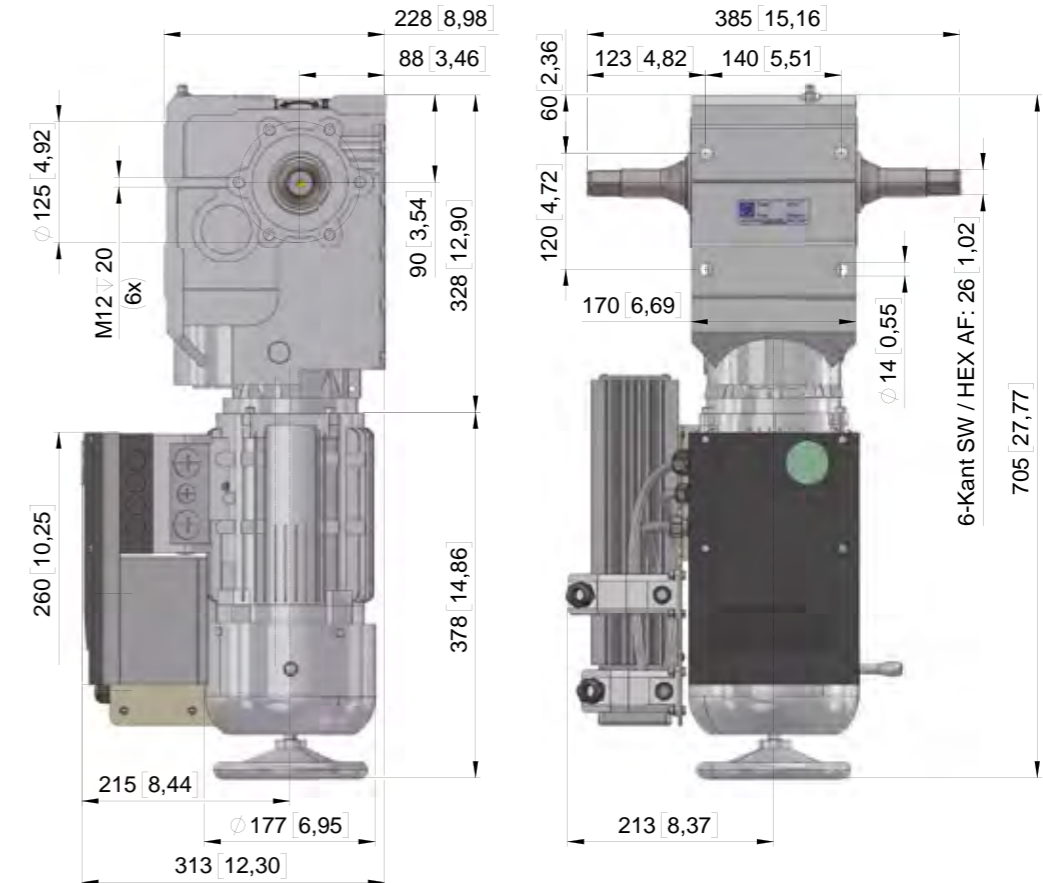
- Activation by means of 1/0 switch contacts (potential-free) at control voltage of 24 V from FU. External DC 24 V activation is possible. Three-phase power supply. ED = 60%, IP 55, ISO-F. No reversible contactor required!

International versions

- US version with 480 V/60 Hz and CURus available on request.

Option:

- LAZ 90.30 manual control unit.



Want all the information clearly laid out in one place?
Go to productfinder.lockdrives.com for support and downloads.

EWA 76 // TurboLogic

900 - 1200 Nm

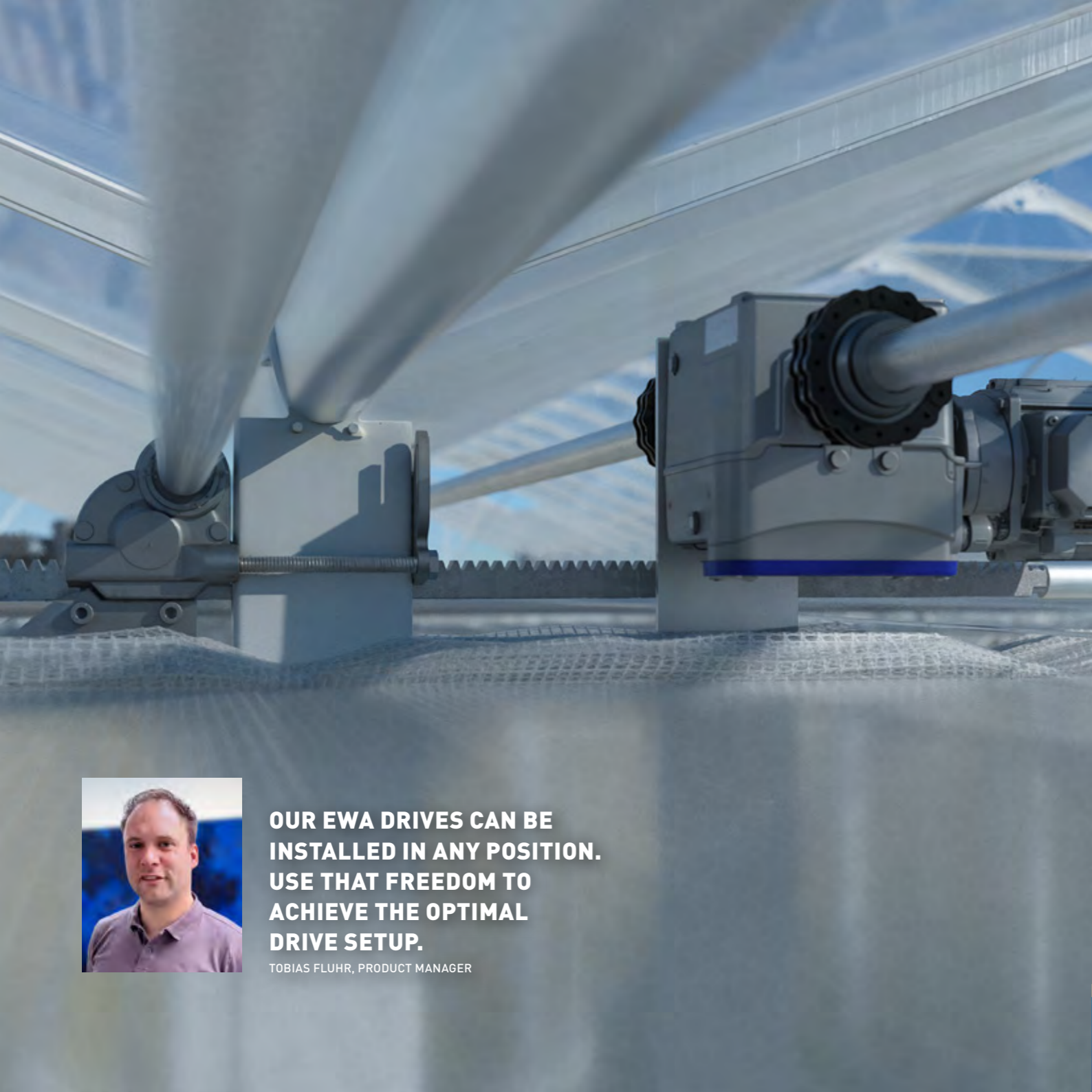


Version	T [Nm]	n1 [1/min]	n2 [1/min]	I [A]	P [kW]	m [kg]
400 V 3~, 50 Hz						
EWA 76.9030	900	9,0	30,0	5,48	2,60	66,0
EWA 76.9223	1200	9,0	23,0	5,48	2,60	66,0



WE OFFER YOU A COMPLETE DRIVE SOLUTION FOR A VAST ARRAY OF REQUIREMENTS, E.G. WE CAN BEND RACKS FOR VENTILATION FLAPS INDIVIDUALLY TO SUIT YOUR WISHES TO PREVENT THEM FROM INTERFERING WHEN IN CLOSED POSITION. WITH A CAD PROGRAM, WE CAN SIMULATE THE ENTIRE LINEAR CHARACTERISTICS OF THE INTERFERENCE CONTOUR.

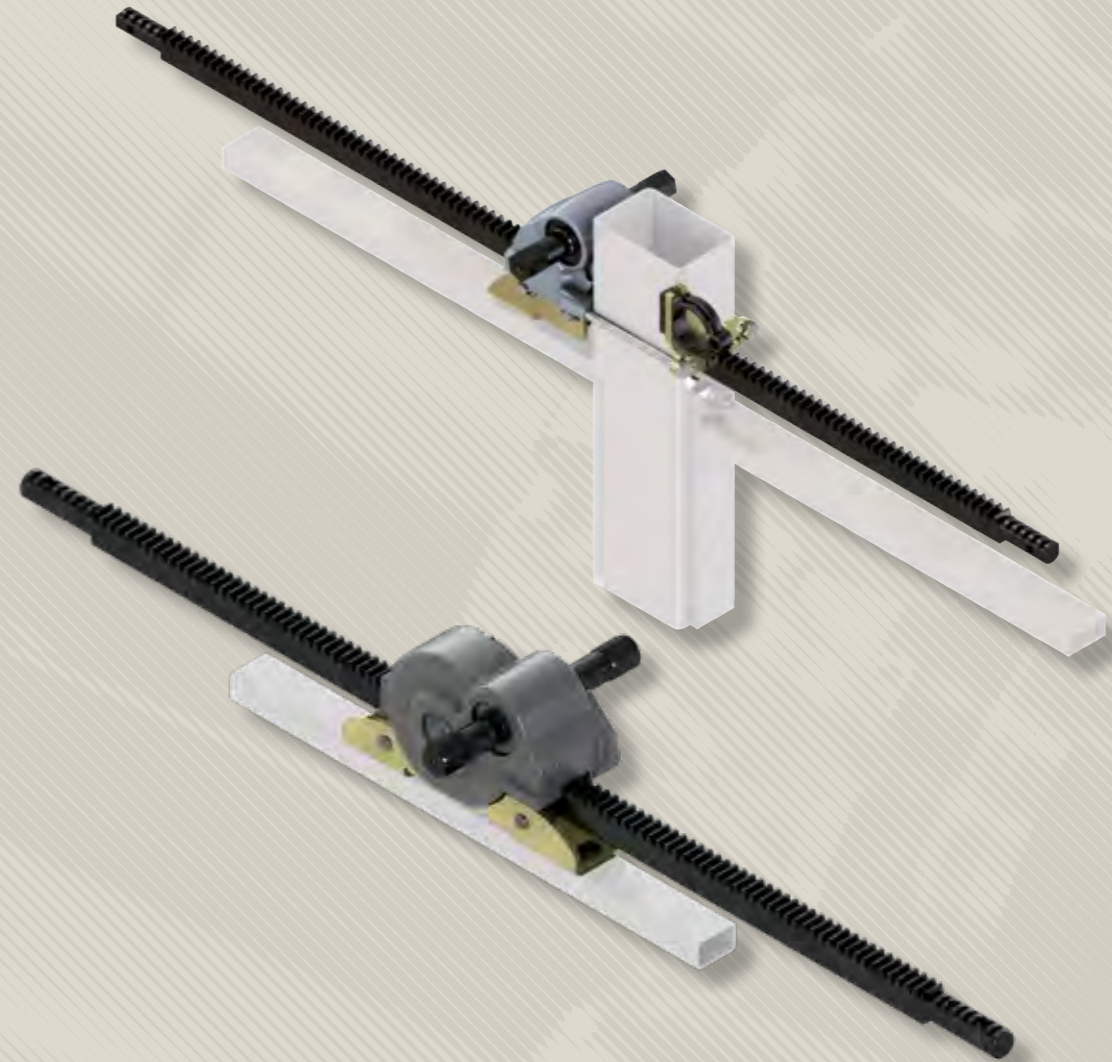
MANFRED BAUSCH, ENGINEERING



**OUR EWA DRIVES CAN BE
INSTALLED IN ANY POSITION.
USE THAT FREEDOM TO
ACHIEVE THE OPTIMAL
DRIVE SETUP.**

TOBIAS FLUHR, PRODUCT MANAGER

LZG 20 / 24 // Rack & pinion units



LZG 20 // Rack & pinion units

5500 – 10000 N

The LZG 20 is an extremely robust, top-quality universal rack & pinion unit with a very compact design. When mounted to support, it causes absolutely minimal shading because the input shaft is below the gutter.



Support mounting



Rail mounting

Versatile & easy to install

- The support version is easy to install by clamping to the support – support dimensions 80, 100, 120 or 140 mm x 50, 60, 70 or 80 mm are possible. Please indicate support dimensions on order!
- Universal application for spacing of push-pull tube above beam of 40, 60 or 200 mm as well as C-section 11.5 mm.
- Hex shaft for ease of assembly of prefab tubes, low levels of torsion and clearance. Robust input shaft for the transmission of high torque levels. Securing on the beam with two bolts (client-supplied).
- Rack made of milled steel with integrated connection for push-pull tube.
- The rack is delivered pre-greased.

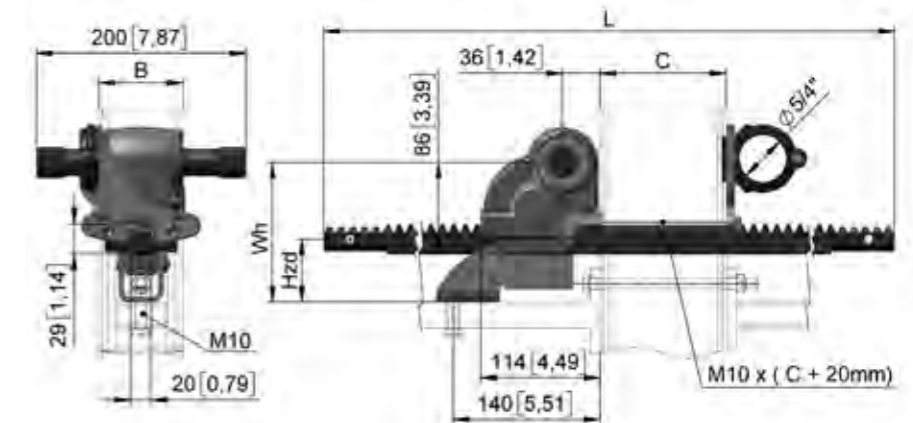
High load capacity

- Stable cast housing with ball bearings for quiet operation. Gear components of high-tempered steel, 10000 N version with additional hardening.

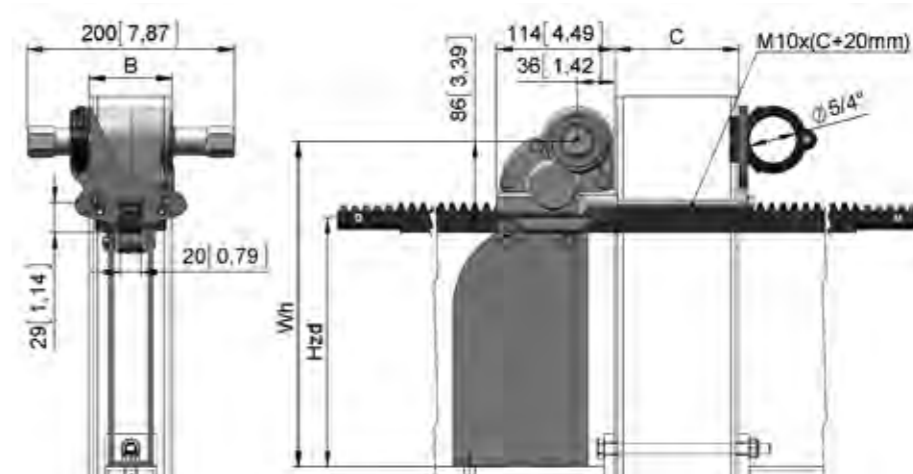
Note:

Weld couplings SKS including bolts must be ordered separately.

LZG 20.10 / 20.30
Support mounting
Height to bore: 60 mm, 40 mm



LZG 20.70
Support mounting
C-section 200 mm



Want all the information clearly laid out in one place?
Go to productfinder.lockdrives.com for support and downloads.

LZG 24 // Rack & pinion units

13000 – 16000 N

The LZG 24 is an extremely robust, top-quality universal rack & pinion unit with a very compact design. When mounted to support, it causes absolutely minimal shading because the input shaft is below the gutter.



Support mounting



Rail mounting

Versatile & easy to install

- The support version is easy to install by clamping to the support – support dimensions 80, 100, 120 or 140 mm x 50, 60, 70 or 80 mm are possible. Please indicate support dimensions on order!
- Universal application for spacing of push-pull tube above beam of 40, 60 or 60/200 mm.
- 30 mm hex shaft for ease of assembly of prefab tubes, low levels of torsion and clearance. Robust input shaft (up to 750 Nm) for the transmission of high torque levels. Securing on the beam with two bolts (client-supplied) with strength 8.8.
- Rack made of milled steel (13000 N with 25 x 35 mm / 16000 N with 30 x 40 mm) with integrated connection for push-pull tube.
- The rack is delivered pre-greased.

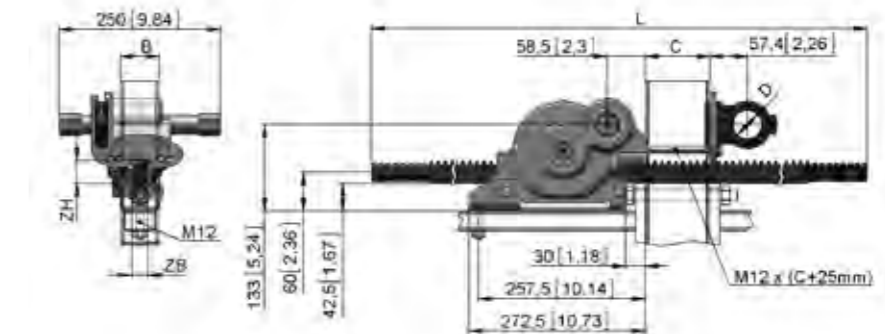
High load capacity

- Stable cast housing with ball bearings for quiet operation. Gear components made of highly tempered, hardened steel.

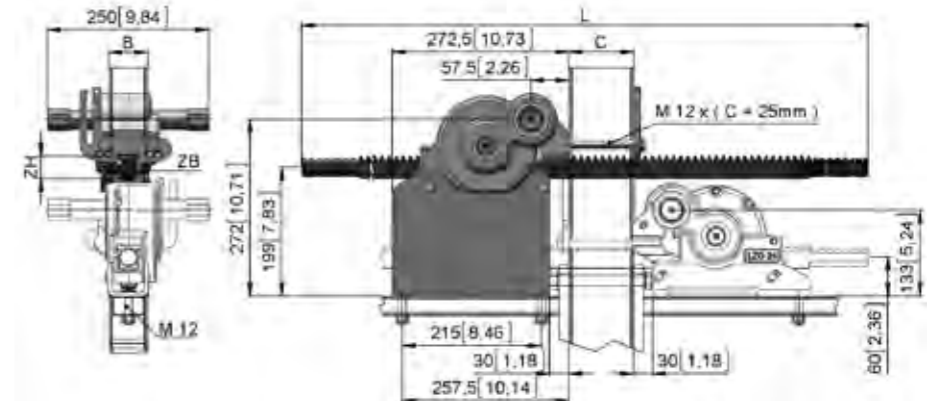
Note:

Weld couplings SKS including bolts must be ordered separately.

LZG 24.10 / 24.30
Support mounting
Height to bore: 60 mm, 40 mm



LZG 24.70
Support mounting
Height to bore: 200 mm



Want all the information clearly laid out in one place?
Go to productfinder.lockdrives.com for support and downloads.

Always support, always nearby

Working with Lock means choosing reliability and simplicity. We support you in every project – from initial design to on-site service. Our technology is designed to operate for many years without problems. And if something does need to be replaced or adjusted, we are ready to help.

Maintenance

Our drives are completely maintenance-free. Any maintenance only concerns system components such as racks or bearings. Thanks to high-quality sealing and electrical engineering, the motor itself requires no maintenance.

Installation and adjustment

Thanks to the mechatronic LSC 40 limit switch, you can set end positions easily. No power supply, no wear. Two clicks and the system is ready for operation. Adjustments later on are also easy via Plug & Play.

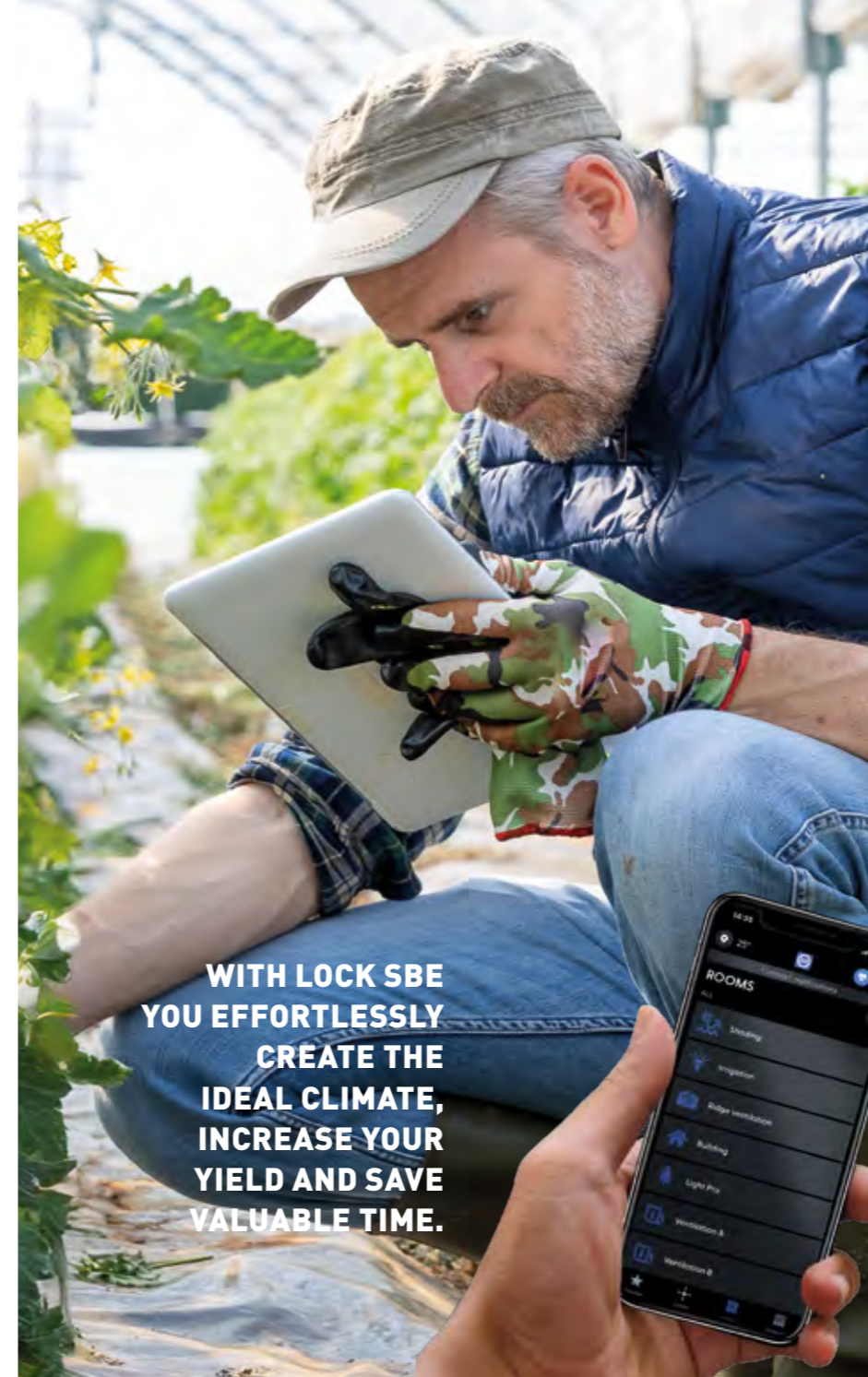
Personal support

Our specialists think along with you – during the design phase, during installation or when you have maintenance questions. You always have direct contact with someone who understands your project.

**CAN WE HELP YOU WITH
YOUR PROJECT?**

Get in touch with us

+49 7371 9508-0
engineering@lockdrives.com



**WITH LOCK SBE
YOU EFFORTLESSLY
CREATE THE
IDEAL CLIMATE,
INCREASE YOUR
YIELD AND SAVE
VALUABLE TIME.**

SBE THE SMART SYSTEM FOR HORTICULTURE

By Lock SmartSolutions

Lock stands for innovative premium solutions and is the competence platform that leads horticulture into the future. With the smart LOCK SBE system, you automate work processes to the maximum and easily manage climate and conditions - anytime, anywhere via smartphone or tablet.

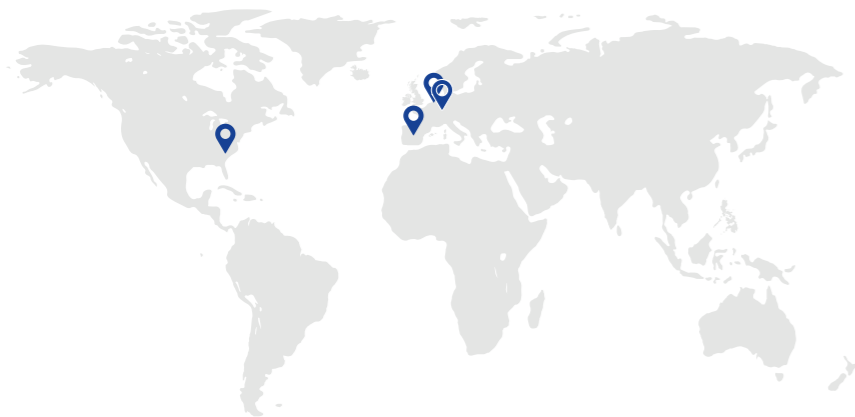
The result: always optimal climate conditions benefiting people, animals, plants and yield. Thanks to intelligent ventilation, sensor technology and continuous interaction between experts and science, you create a stable, pleasant and productive environment in every season.

LOCK SBE
innovation, convenience and
growth in one

For more information on SBE
visit: locksmartsolutions.com

The 5 promises of Lock

- 1 More than 180 years of experience in drive technology
- 2 Solid German engineering
- 3 Easy does it
- 4 Fits any design
- 5 Personal and nearby



GLOBAL OFFICES

Lock GmbH - Germany

Lock Drives B.V. - Netherlands

Lock Drives - Spain

Lock Drives Inc. - USA



CUSTOMER SATISFACTION IS OUR CENTRAL KEY INDICATOR. WE WERE ABLE TO IMPROVE THIS LAST YEAR TO 96.5 %. PLEASE CONTINUE TO SUPPORT US BY LETTING US KNOW YOUR HONEST AND CONSTRUCTIVE OPINION.

SIMONE OTT, CUSTOMER MANAGEMENT



LOCK GMBH
MAIN OFFICE // ERTINGEN // GERMANY



**SMART DRIVE
TECHNOLOGY FOR
GREENHOUSE
HORTICULTURE.**

05/2026